

IPC3612ER3-(P)F28(36)(60) 2MP Network IR Fixed Dome Camera



Key Features

Optics

- Day/night functionality
- Optical glass window with higher light transmittance
- IR anti-reflection window to increase the infrared transmittance
- Up to 30 m (98 ft) IR distance
- 3D DNR (Digital Noise Reduction)

Compression

- H.264/MJPEG
- Dual streams
- 9:16 corridor mode

Network

- ONVIF Conformance

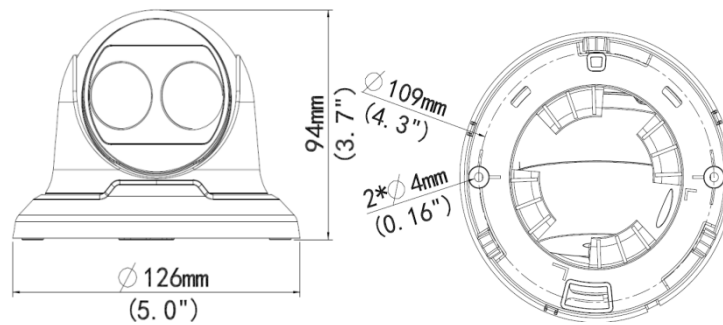
Structure

- Support PoE power supply(optional)
- Wide temperature range: -30°C to 60°C (-22°F to 140°F)
- Wide voltage range of $\pm 25\%$
- 4 KV surge protection designed for network interface
- IP66-rated

Specifications

	IPC3612ER3-F28 (36)(60)	IPC3612ER3-PF28(36)(60)
Camera		
Sensor	1/2.8", 2 Megapixel, progressive scan, CMOS	
Lens	2.8mm@F1.8(3.6mm, 6mm optional); Angle of view(H): 103° (80.5° / 49.9°)	
Shutter	Auto/Manual, 1/6~1/8000 s	
Day/Night	IR-cut filter with auto switch (ICR)	
IR	30m (98 ft) IR range	
AWB(Auto white balance)	Auto/manual	
Gain Control	Auto/manual	
Image Rotation	Support	
WDR	Digital	
Noise Reduction	2D/3D	
Video		
Max. Resolution	1920×1080	
Video Compression	H.264/MJPEG	
Frame Rate	1080P (1920×1080): Max. 30 fps; 720P (1280×720): Max. 30 fps; D1 (720×576): Max. 25 fps	
Video Streaming	Dual	
OSD	Up to 8 OSDs	
9:16 Corridor Format	Support	
Motion Detection	Up to 2 areas	
Privacy Mask	Up to 4 areas	
Network		
Protocols	IPv4,IGMP,ICMP,ARP,TCP,UDP,DHCP,RTP,RTSP,Qos,DNS,DDNS,NTP,FTP,UPnP,HTTP	
Compatible Integration	ONVIF	
Interface		
Network	10M/100M Base-TX Ethernet	
General		
Power Supply	12 V DC	12 V DC, or PoE (IEEE802.3 af)
	Power consumption: 3.5 W (with IR on: extra 2 W)	
Dimensions (Ø x H)	Φ126 x 94 mm (Ø5.0" x 3.7")	
Weight	0.33 kg (0.73 lb)	
Working Environment	-30°C ~ +60°C (-22°F ~ 140°F), Humidity ≤ 90% RH(non-condensing)	
Ingress Protection	IP66	

Dimensions

**Zhejiang Uniview Technologies Co., Ltd.**

South Tower, Building 10, Wanlun Science Park, 88 Jiangling Road, Hangzhou, P.R.China 310051

Email: overseasbusiness@uniview.com; globalsupport@uniview.com

<http://www.uniview.com>

©2013 Zhejiang Uniview Technologies Co., Ltd. All rights reserved.

*Product specifications and availability are subject to change without notice.