

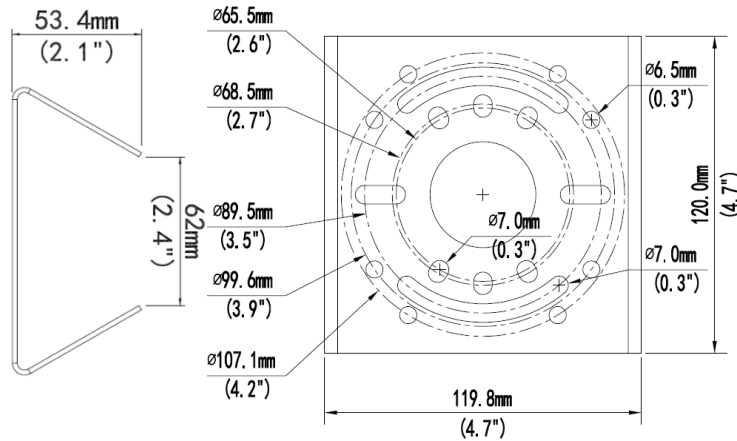
TR-UP06-IN Pole Mount Adapter



Specifications

Bracket	TR-UP06-IN
Application	Outdoor, pole or rail installation
Dimensions(L × W × H)	120mmx120mmx53.4mm (4.7"x4.7"x2.1")
Weight	0.45kg(0.99lb)
Material	Galvanized sheet

Dimensions



Zhejiang Uniview Technologies Co.,Ltd.

South Tower, Building 10, Wanlun Science Park, 88 Jiangling Road, Hangzhou, P.R.China 310051

Email: overseasbusiness@uniview.com; globalsupport@uniview.com

<http://www.uniview.com>

©2013 Zhejiang Uniview Technologies Co.,Ltd. All rights reserved.

*Product specifications and availability are subject to change without notice.