

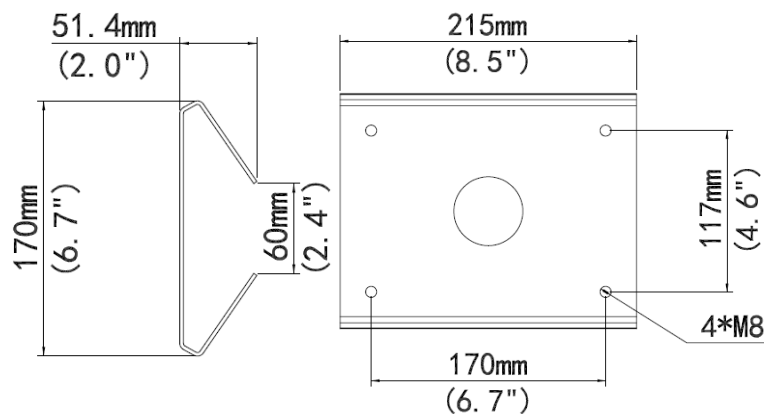
# TR-UP08-A-IN Pole Mount Adapter



## Specifications

Bracket	TR-UP08-A-IN
Application	Indoor or outdoor, pole installation for PTZ dome camera
Dimensions(L × W × H)	215mmx170mmx52mm (4.7"x4.7"x2.1")
Weight	1.47kg(3.2lb)
Material	aluminum alloy

## Dimensions



### Zhejiang Uniview Technologies Co.,Ltd.

South Tower, Building 10, Wanlun Science Park, 88 Jiangling Road, Hangzhou, P.R.China 310051

Email: [overseasbusiness@uniview.com](mailto:overseasbusiness@uniview.com); [globalsupport@uniview.com](mailto:globalsupport@uniview.com)

<http://www.uniview.com>

©2013 Zhejiang Uniview Technologies Co.,Ltd. All rights reserved.

\*Product specifications and availability are subject to change without notice.