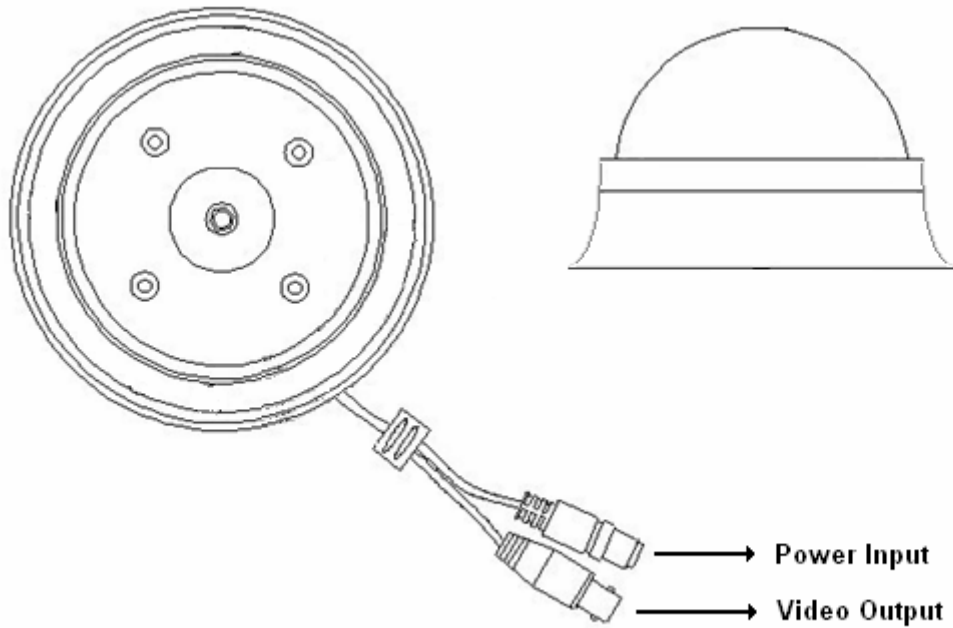


## Mini Dome Camera – CAM-DM33



### ■ Packet Content

CAM-DM33  
Screw kit \* 1

### ■ Installation

1. Please fix the CAM-DM33 to a suitable location with the Screw Kit.
2. Open the protect cover and adjust the camera to the correct direction, then closed.
3. Connect Video Output connector to your DVR.
4. Connect a 12V DC/800mA power adapter to the Power Input connector.

### ■ Specification

<b>Image Pick-up Device</b>	SHARP 1/4" CCD Normal Resolution
<b>Effective Picture Elements</b>	NTSC: 510*492, PAL: 500*582 (H*V)
<b>Horizontal Resolution</b>	330 TV lines
<b>Minimum Illumination</b>	0.2 LUX @ F2.0
<b>S/N Ratio</b>	More than 48 dB
<b>Auto Electronic Shutter</b>	NTSC:1/60s~1/100,000s, PAL:1/50s~1/110,000s
<b>Gamma Characteristic</b>	0.45
<b>Lens Furnished</b>	Board lens 3.6mm / F2.0(optional:2.5/4.3/6.0/8.0/12/16mm)
<b>Gain Control</b>	Automatically
<b>White Balance</b>	Automatically (2500K~9500K)
<b>Synchronous System</b>	Negative sync. Internal
<b>Video Output</b>	1 Vp-p Composite Video / 75 Ohms.
<b>Power Supply</b>	DC 12V / 800 mA
<b>Operating Temp.</b>	-10 to 50 (14 to 122 )
<b>Dimensions</b>	73 mm(Φ) X 53 mm(H)